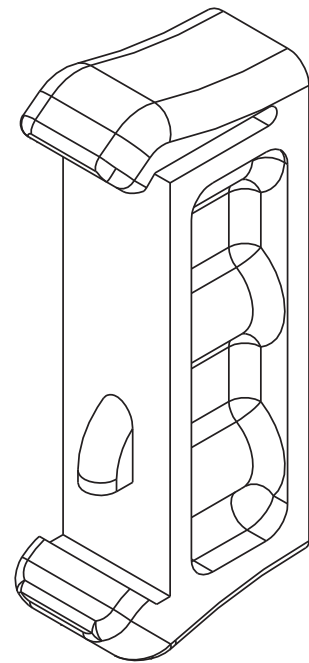
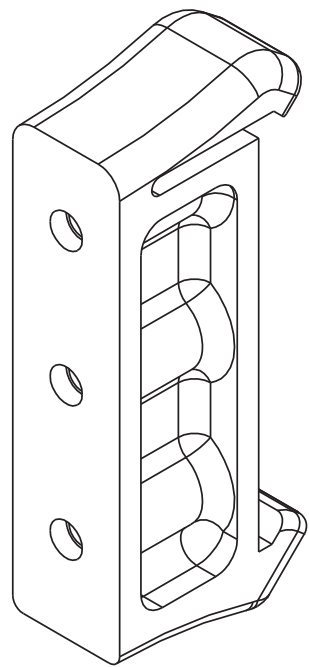
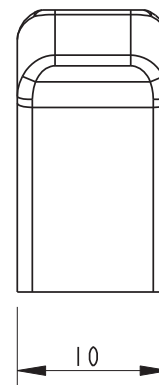
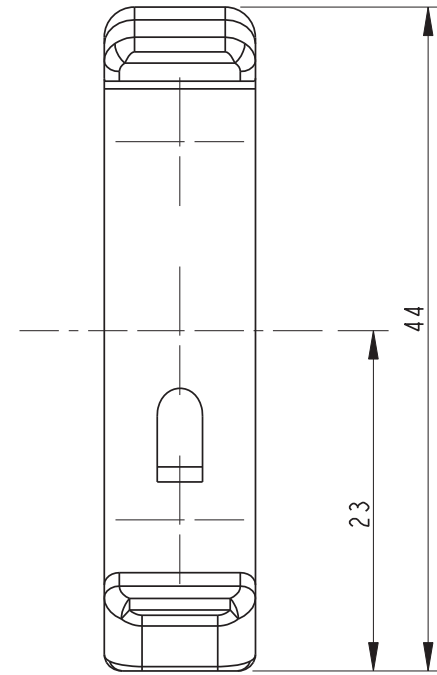
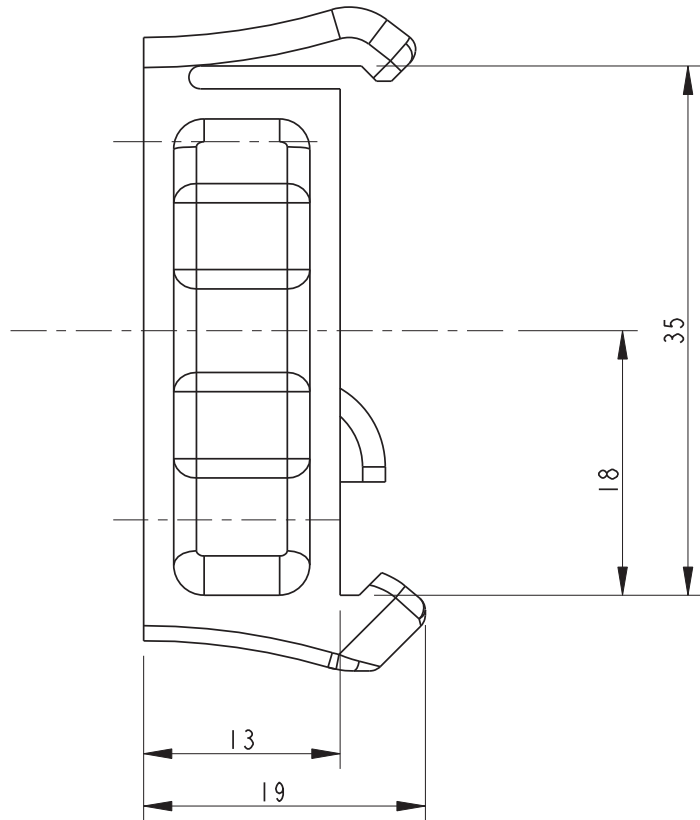
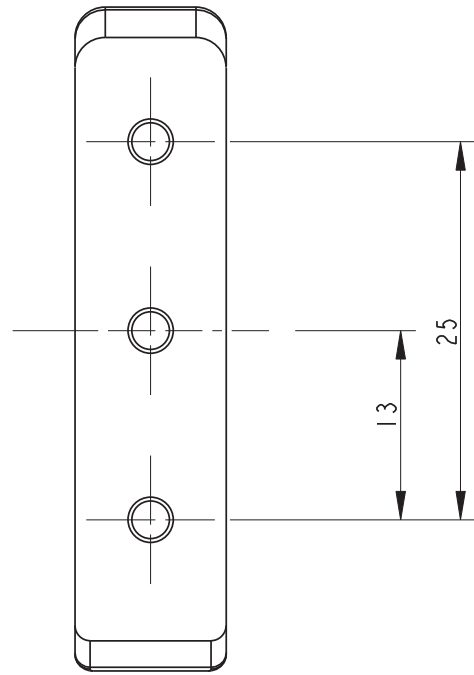


All rights reserved. Passing on and copying of this document, use and communication of its contents not permitted without written authorization.



A	20100116	CY	BE
REVISION	DATE	APPROVAL AUTHORITY	ORIGINATOR

MATERIAL	POLYCARBONATE	FINISH	SMOOTH	TOLERANCE	ISO 2768-M	3rd ANGLE
TITAN Electronics Inc.		DESCRIPTION		DIN RAIL CLIP NARROW INJECTION MOLDING		SHEET
PART NUMBER		DR-201		REVISION		1 / 1
						A